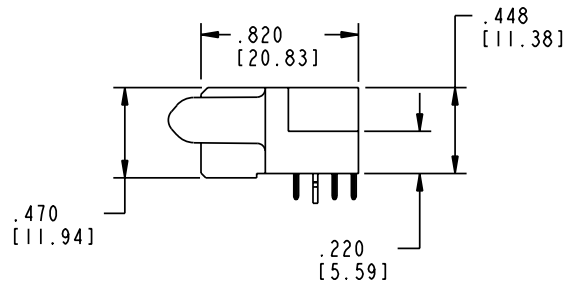
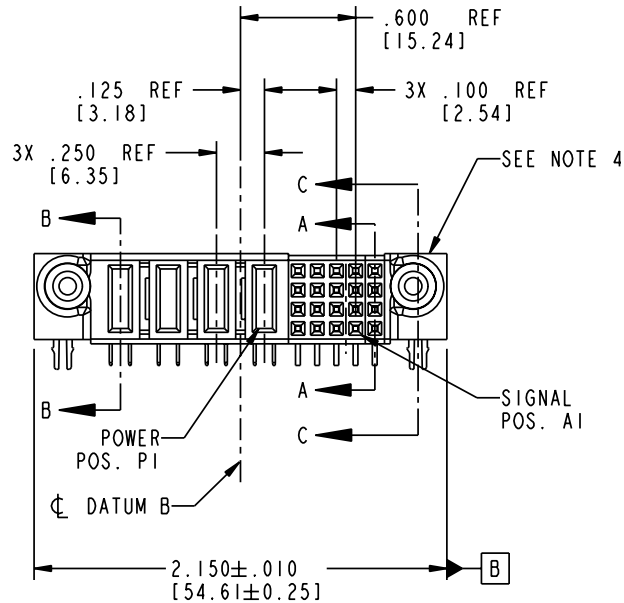
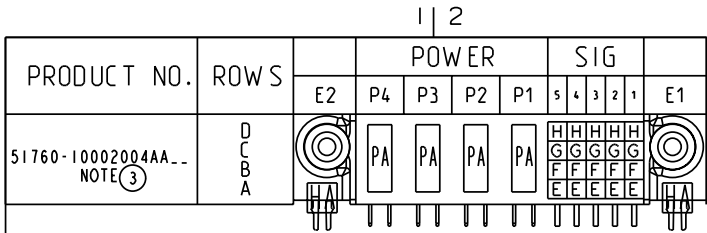


Tous droits strictement réservés. Reproduction ou communication o des tiers interdite sous quelque forme que ce soit sans autorisation écrite du propriétaire. Propriete de c FCI. Droits de reproduction FCI.

All rights strictly reserved. Reproduction or issue to third parties in any form whatever is not permitted without written authority from the proprietor. Property of FCI. Copyright FCI.

FCI



CODE	DIM "M" MATING LENGTH	CONTACT TYPE
E	N/A [N/A]	SIGNAL
F	N/A [N/A]	SIGNAL
G	N/A [N/A]	SIGNAL
H	N/A [N/A]	SIGNAL
PA	.042 [1.07]	POWER
HA	N/A [N/A]	HOLD-DOWN

mat'l code SEE NOTE 2				tolerances unless otherwise specified		CUSTOMER		 www.fciconnect.com	
ltr	ecn no.	dr	date	linear	.XX±.01/0.X±0.3	COPY		title	
A	DG05-0064	SW	04/06/05	angles	.XXX±.005/0.XX±0.13	projection		20S + 4P	
					.XXX±.0020/0.XXX±0.051			R/A SOLDER RECEPTACLE	
				dr	STEVEN WANG 04/06/05	INCH/MM		product family PwrBlade code	
				enrg	STEVEN WANG 04/06/05	scale		size dwg no 213	
				chr	VICTOR LIN 04/06/05	1:1		sheet	
				appd	JOSEPH HSIA 04/06/05			1 of 4	
sheet index	revision sheet	A 1	A 2	A 3	A 4			code code 51760-10002004AA	

Pro/E

PDM: Rev: A

STAT

Released 22526

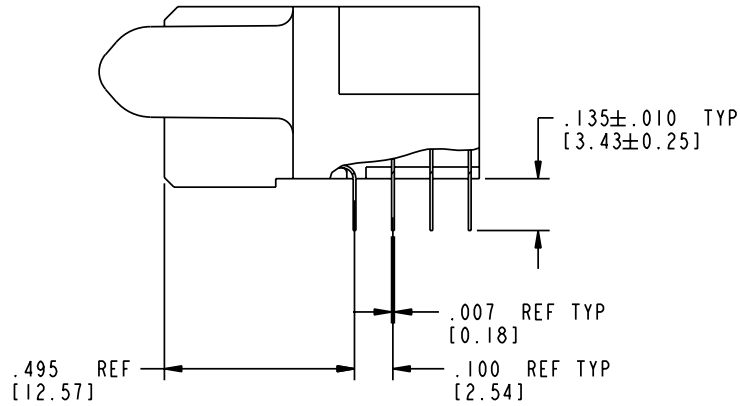
Printed: Aug 14, 2007

Tous droits strictement réservés. Reproduction ou communication a des tiers interdite sous quelque forme que ce soit sans autorisation écrite du propriétaire. Propriété de c FCI. Droits de reproduction FCI.

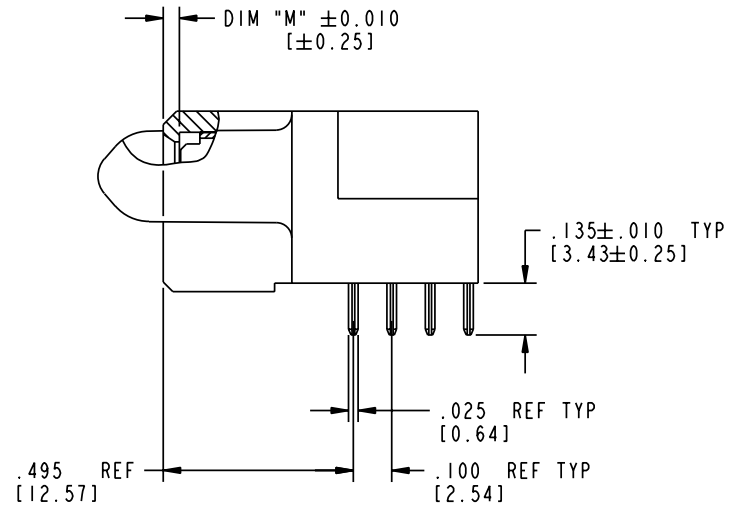
All rights strictly reserved. Reproduction or issue to third parties in any form whatever is not permitted without written authority from the proprietor. Property of FCI. Copyright FCI.

FCI

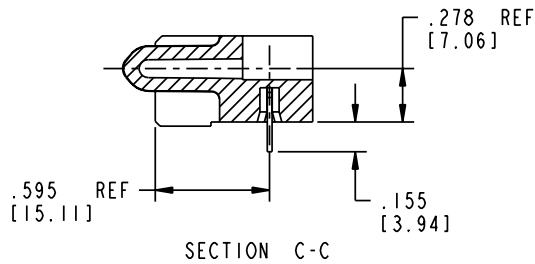
PRODUCT NUMBER
51760-10002004AA
 NOTE (3)



BROKEN-OUT SECTION A-A
 SCALE 2:1



BROKEN-OUT SECTION B-B
 SCALE 2:1



SECTION C-C

mat'l code		SEE NOTE 2		tolerances unless otherwise specified		CUSTOMER		 www.fciconnect.com	
lfr	ecn no.	dr	date	linear	.XX ± .01 / 0.X ± 0.3	COPY		title	
A				projection	.XXX ± .005 / 0.XX ± 0.13			20S + 4P R/A SOLDER RECEPTACLE	
				angles	.XXX ± .0020 / 0.XXX ± 0.051			product family	
				dr	STEVEN WANG 04/06/05	INCH/MM		PwrBlade	
				enr	STEVEN WANG 04/06/05	scale		code	
				chr	VICTOR LIN 04/06/05	1:1		213	
				appd	JOSEPH HSIA 04/06/05			sheet	
sheet index		revision sheet						2 of 4	
								A 51760-10002004AA	

Pro/E

PDM: Rev: A

STAT: ~~Released~~ **23526**

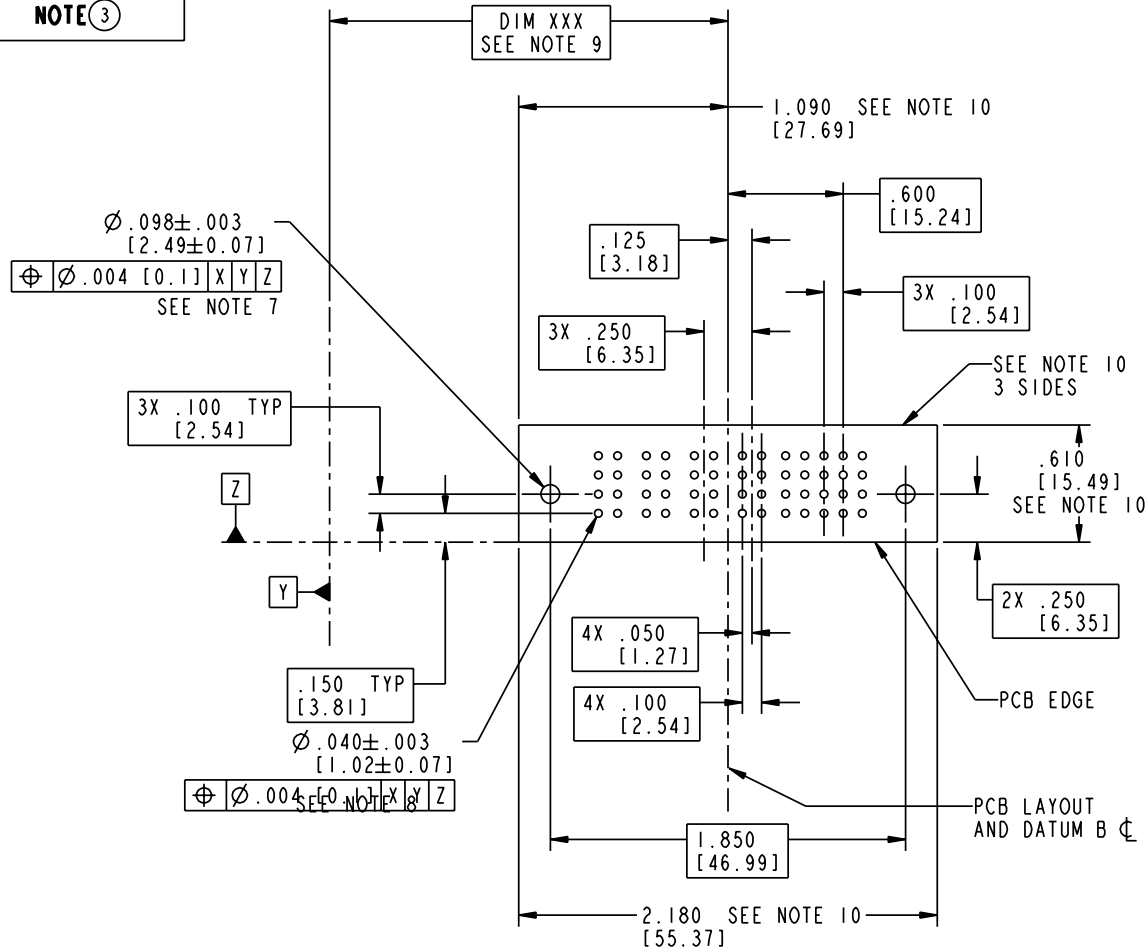
Printed: Aug 14, 2007

Tous droits strictement réservés. Reproduction ou communication a des tiers interdite sous quelque forme que ce soit sans autorisation écrite du propriétaire. Propriété de c FCI. Droits de reproduction FCI.

All rights strictly reserved. Reproduction or issue to third parties in any form whatever is not permitted without written authority from the proprietor. Property of FCI. Copyright FCI.

FCI

PRODUCT NUMBER
51760-10002004AA
 NOTE ③



mat'l code		SEE NOTE 2		tolerances unless otherwise specified		CUSTOMER		 www.fciconnect.com	
lfr	ecn no.	dr	date	linear	.XX±.01/0.X±0.3	COPY		title	
A				linear	.XX±.005/0.XX±0.13	projection		20S + 4P R/A SOLDER RECEPTACLE	
				angles	.XXX±.0020/0.XXX±0.051			product family	
				dr	0°±2°	INCH/MM		PwrBlade	
				enrg	STEVEN WANG 04/06/05	scale		code	
				enrg	STEVEN WANG 04/06/05	1:1		213	
				chr	VICTOR LIN 04/06/05			sheet	
				appd	JOSEPH HSIA 04/06/05			3 of 4	
sheet index	revision sheet							size A 51760-10002004AA	

Pro/E

PDM: Rev: A

STAT

code code
 Released 22526

Printed: Aug 14, 2007

PRODUCT NUMBER

51760-10002004AA -
NOTE (3)

NOTES:

1. DIMENSIONS AND TOLERANCES ARE IN ACCORDANCE WITH ASME Y14.5M, 1994 UNLESS OTHERWISE SPECIFIED.

CONNECTOR NOTES:

(2) HOUSING MATERIAL: UL 94 V-0 GLASS FILLED
HIGH-TEMP THERMOPLASTIC
POWER CONTACT MATERIAL: COPPER ALLOY
SIGNAL PIN MATERIAL: COPPER ALLOY

3. PLATING:
51760-10002004AA SIGNAL PINS: 30u"/0.76um Au OVER 50u"/1.27um Ni ON CONTACT AREA
100u"/2.54um SnPb OVER 50u"/1.27um Ni ON TERMINATION AREA.
POWER CONTACTS: 50u"/1.27um Ni UNDER ALL WITH 30u"/0.76um Au ON CONTACT AREA
AND 100u"/2.54um SnPb ON PCB INTERFACE

51760-10002004AALF SIGNAL PINS: 30u"/0.76um Au OVER 50u"/1.27um Ni ON CONTACT AREA
78u"/2.00um Sn OVER 50u"/1.27um Ni ON TERMINATION AREA.
POWER CONTACTS: 50u"/1.27um Ni UNDER ALL WITH 30u"/0.76um Au ON CONTACT AREA
AND 78u"/2.00um Sn ON PCB INTERFACE

PART NUMBER 51760-10002004AALF MEETS EUROPEAN UNION DIRECTIVE AND OTHER COUNTRY REGULATIONS AS DESCRIBED IN GS-22-008.

(4) MANUFACTURER'S NAME, P/N, AND DATE CODE TO APPEAR ON THIS SURFACE.

5. PRODUCT SPECIFICATION GS-12-149.
APPLICATION SPECIFICATION BUS-20-067.

PCB NOTES:

6. ALL HOLE DIAMETERS ARE FINISHED HOLE SIZE.

(7) MOUNTING HOLES, WHERE APPLICABLE, ARE UNPLATED.

(8) Ø.0453±.0010 [1.151±0.025] DRILLED HOLES PLATED WITH .0003 [0.008] MIN SnPb OVER .001 [0.03] TO .003 [0.08] Cu PLATING TO ACHIEVE Ø.040±.003 [1.02±.07] HOLE.

(9) "DIM XXX" TO BE DETERMINED BY THE CUSTOMER.

(10) CONNECTOR KEEP-OUT ZONE.

mat'l code		SEE NOTE 2		tolerances unless otherwise specified		CUSTOMER		A FCI www.fciconnect.com	
ltr	ecn no.	dr	date	linear	.XX±.01/0.X±0.3	COPY		title	
A					.XXX±.005/0.XX±0.13	projection		20S + 4P	
				angles	.XXX±.0020/0.XXX±0.051	INCH/MM		R/A SOLDER RECEPTACLE	
				dr	0° ± 2°	scale		product family	
				enrg	STEVEN WANG 04/06/05	1:1		PwrBlade	
				chr	STEVEN WANG 04/06/05	A		code	
				appd	VICTOR LIN 04/06/05	51760-10002004AA		213	
					JOSEPH HSIA 04/06/05			sheet	
sheet index	revision sheet							4 of 4	

Tous droits strictement réservés. Reproduction ou communication a des tiers interdite sous quelque forme que ce soit sans autorisation écrite du propriétaire. Propriété de c FCI. Droits de reproduction FCI.

FCI

All rights strictly reserved. Reproduction or issue to third parties in any form whatever is not permitted without written authority from the proprietor. Property of FCI. Copyright FCI.

A

A

B

B